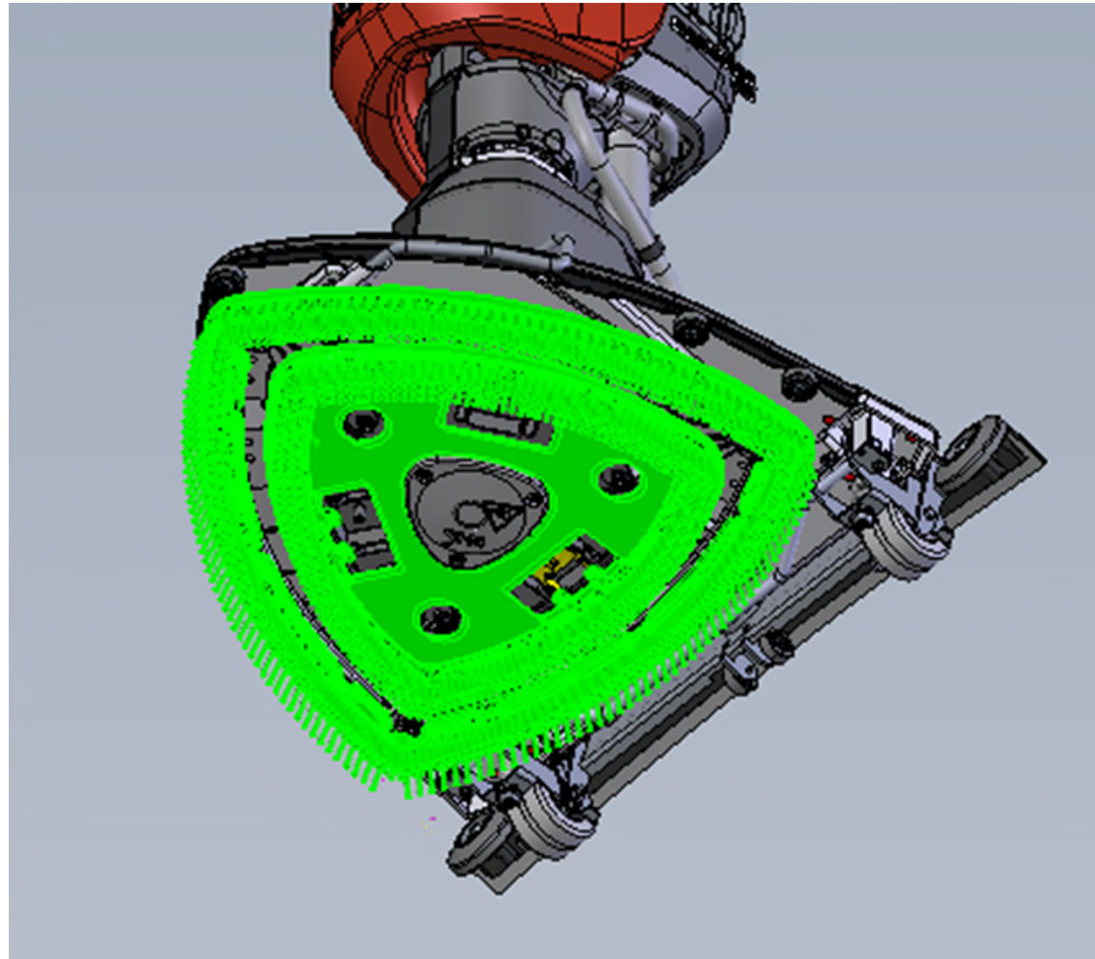
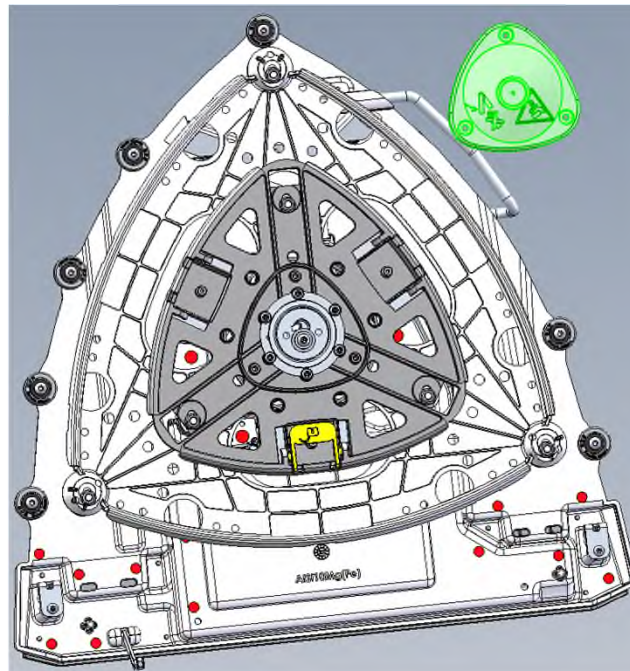
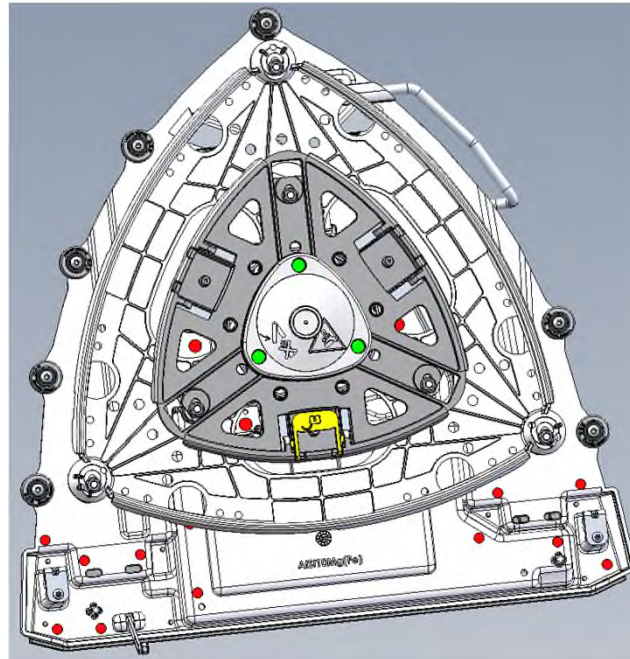


## 13.3 Disassembly Brush Deck



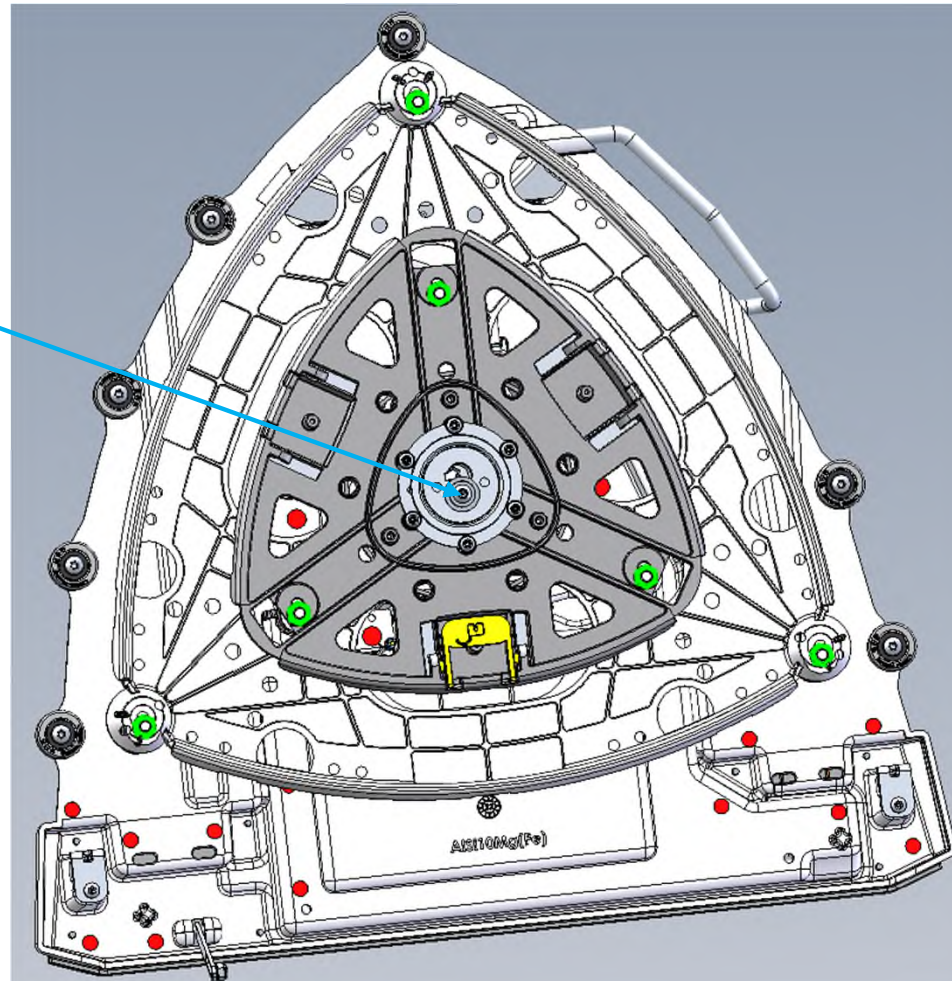
1) Pull off the brushes or pad holder

2) Remove cover  
(3 screws)

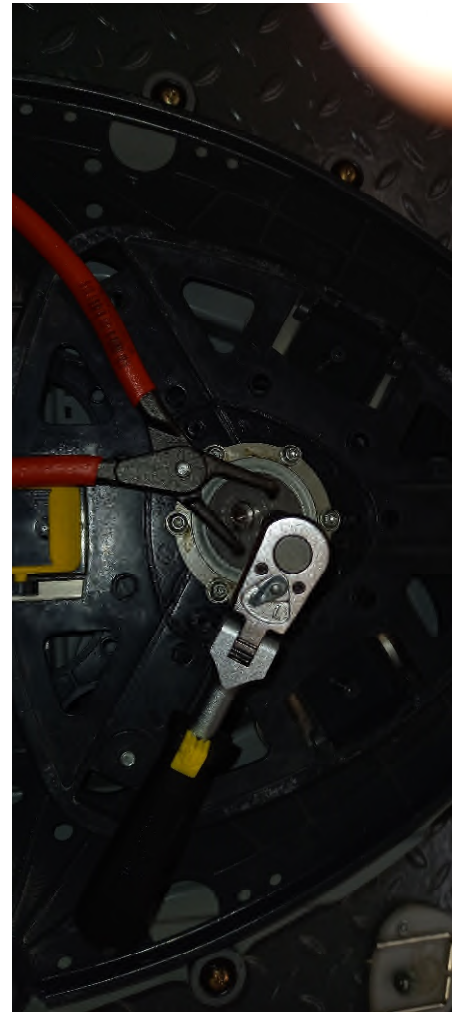
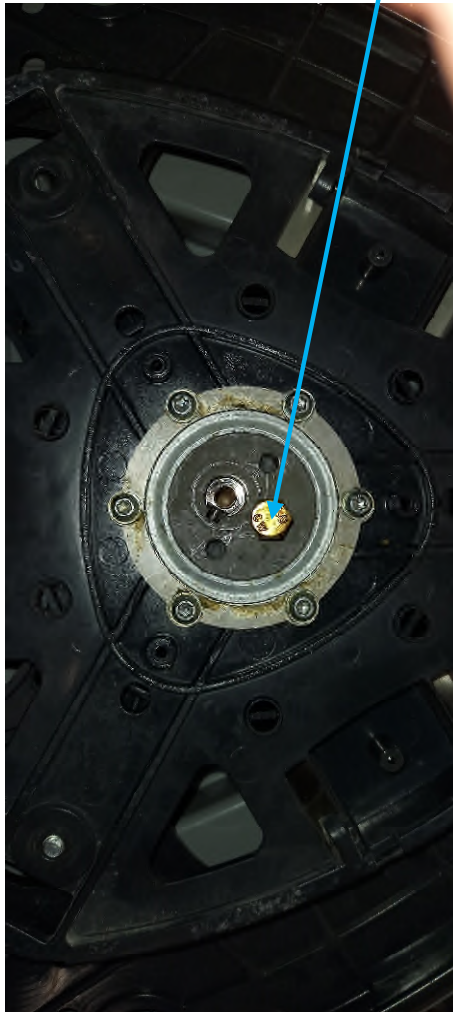


3) Loosen nuts of the connecting elements (dampers) 6 pcs.

4) Remove central screw

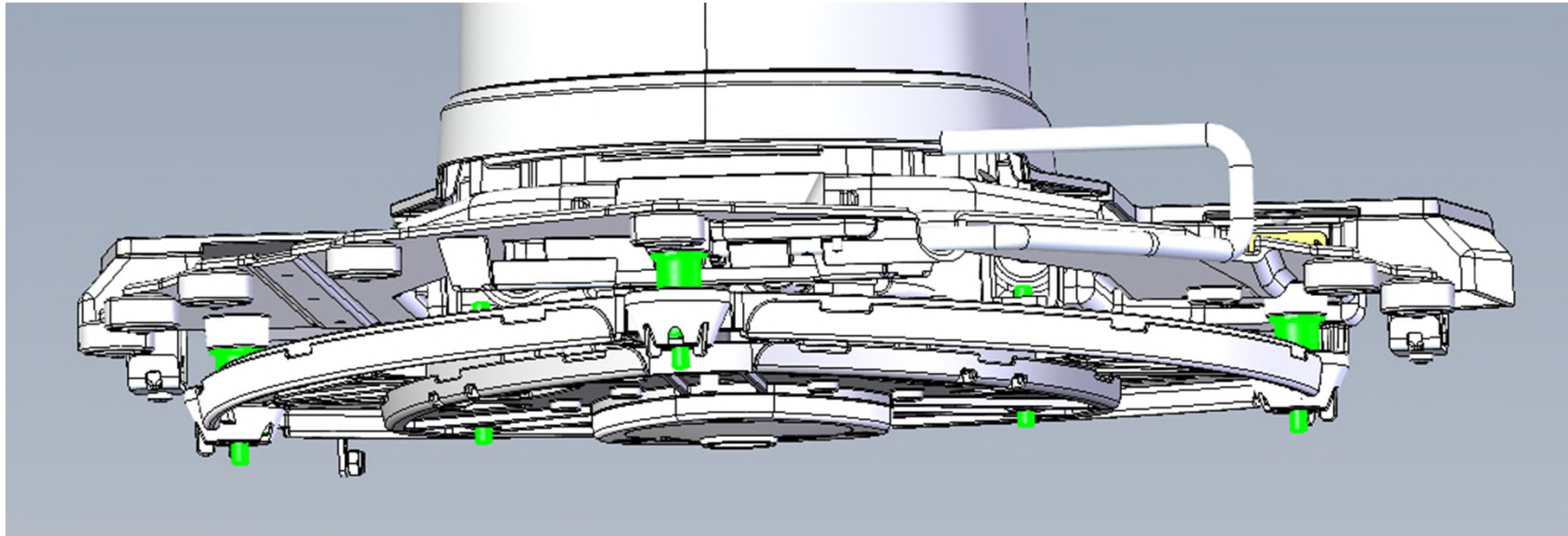


5) Pull off the inner driver (with M6 screw)



6) Pull off the outer driver (with M6 screw)





When assembling, make sure that the threads of the rubber buffers are seated correctly

*Screw in hand-tight  
with grease  
(Mobil Unirex N)*

*Toothed lock washer  
between buffer  
and driver  
Tighten with 4,7Nm*

